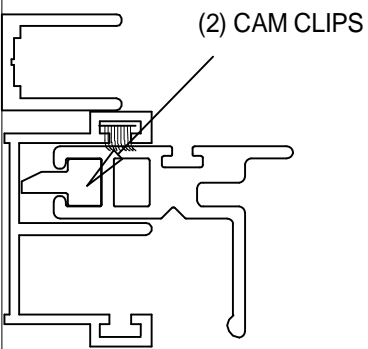
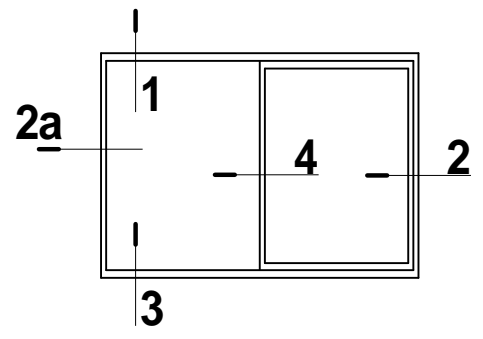
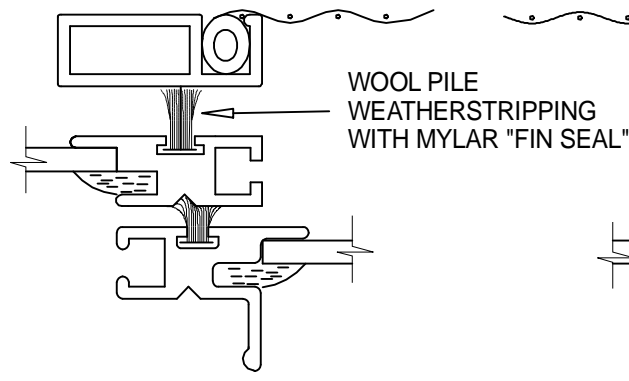


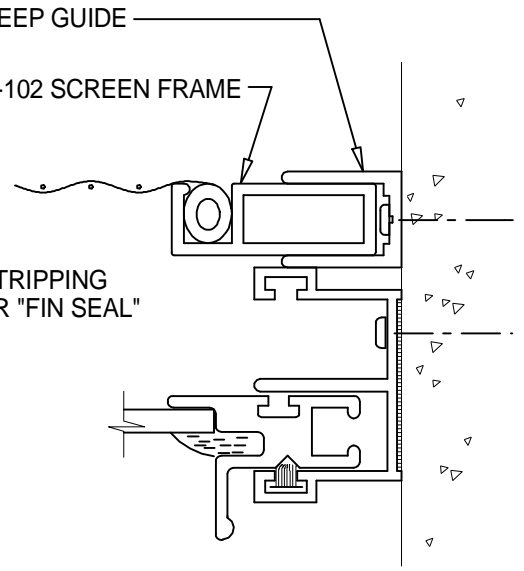
1 HEAD DETAIL
SCALE: FULL



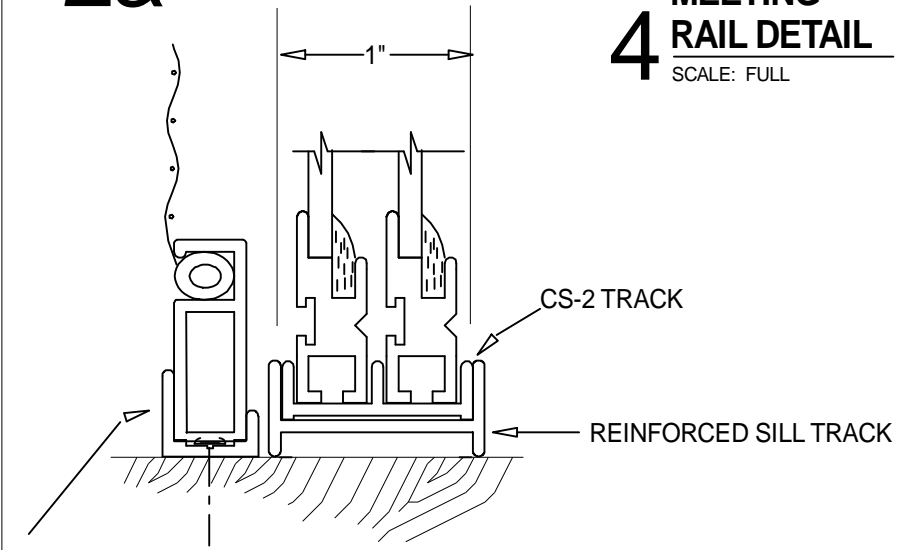
2a JAMB DETAIL
SCALE: FULL



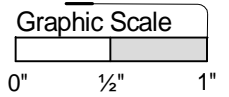
4 MEETING RAIL DETAIL
SCALE: FULL



2 JAMB DETAIL
SCALE: FULL



3 SILL DETAIL
SCALE: FULL



PRODUCT
SLIDE - A - WAY, SAW-2, 1/2 SLIDING SCREEN
TWO PANELS, BOTH ACTIVE

DWG. NO.
S-6



Allied Window
Performance Panels®

11111 CANAL ROAD • CINCINNATI, OH 45241 • PH: 800-445-5411, 513-559-1212 • FAX: 513-559-1883 • www.alliedwindow.com • info@alliedwindow.com